

PRODUCT INFORMATION PACKET

marathon[®]
Motors

Model No: 182TTFC6005
Catalog No: GT1109
3,3600,TEFC,182T,3/60/575
Totally Enclosed Fan Cooled (TEFC)



Regal and Marathon are trademarks of Regal Beloit Corporation or one of its affiliated companies.
©2018 Regal Beloit Corporation, All Rights Reserved. MC017097E

REGAL[®]



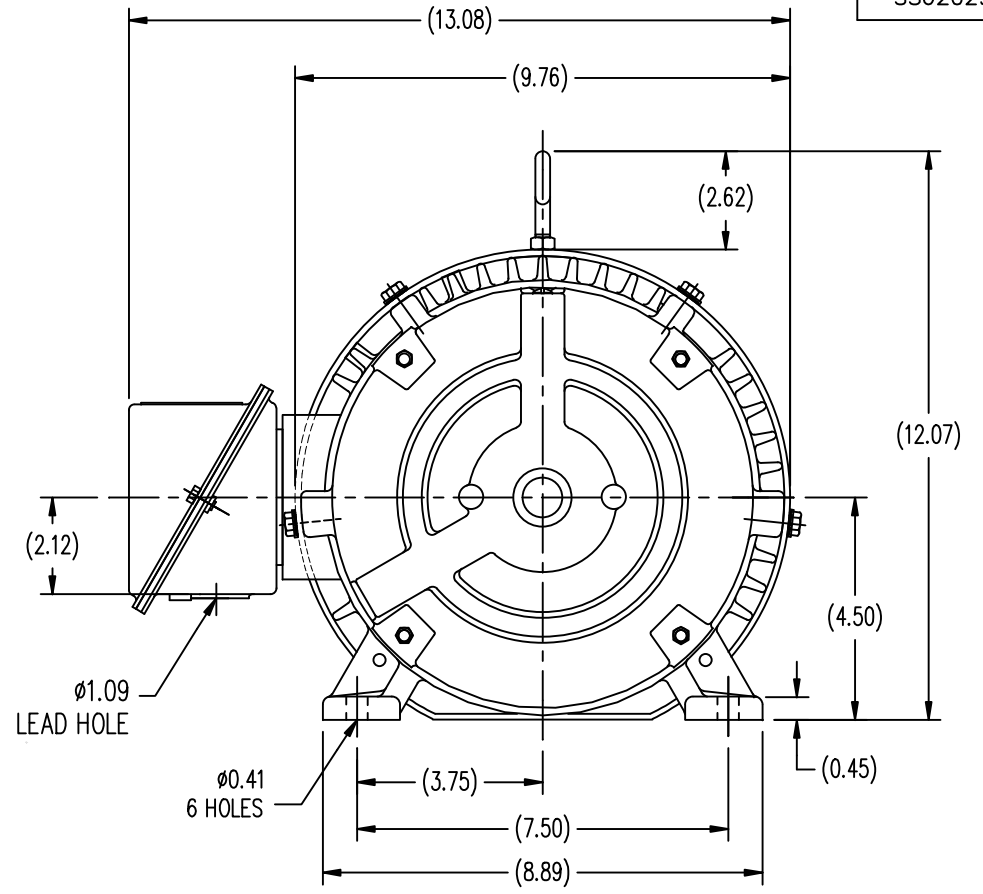
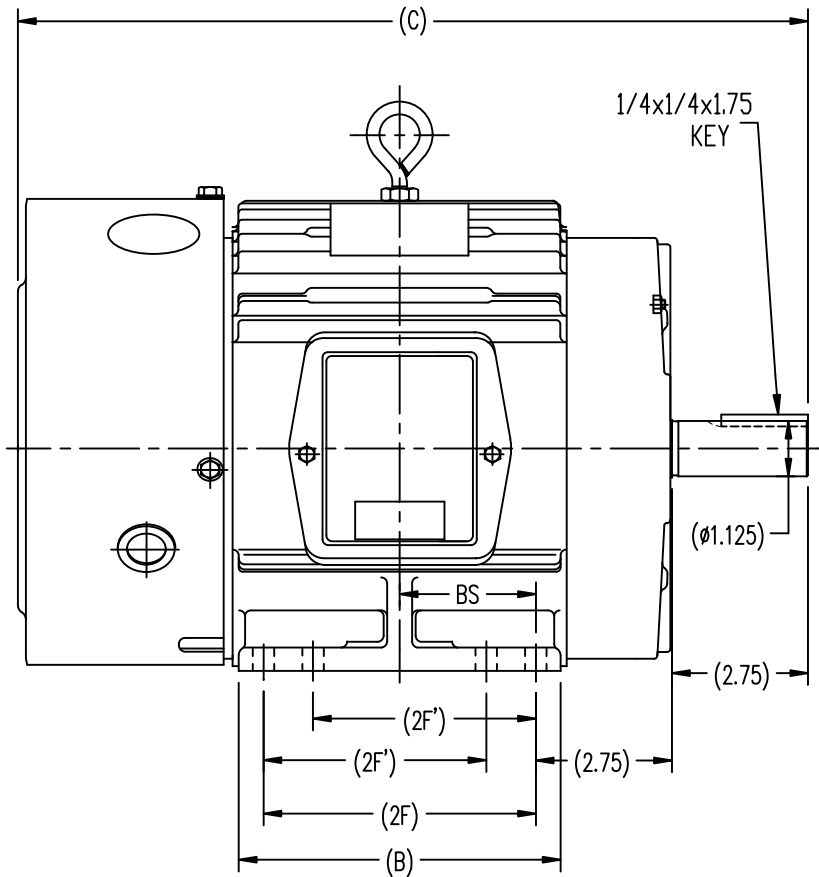
Nameplate Specifications

Output HP	3 Hp	Output KW	2.2 kW
Frequency	60 Hz	Voltage	575 V
Current	3.1 A	Speed	3532 rpm
Service Factor	1.15	Phase	3
Efficiency	86.5 %	Duty	Continuous
Insulation Class	F	Design Code	B
KVA Code	H	Frame	182T
Enclosure	Totally Enclosed Fan Cooled	Overload Protector	No
Ambient Temperature	40 °C	Drive End Bearing Size	6206
Opp Drive End Bearing Size	6205	UL	Recognized
CSA	Y	CE	Y
IP Code	43		


Technical Specifications

Electrical Type	Squirrel Cage Induction Run	Starting Method	Across The Line
Poles	2	Rotation	Reversible
Mounting	Rigid base	Motor Orientation	Horizontal
Drive End Bearing	Ball	Opp Drive End Bearing	Ball
Frame Material	Cast Iron	Shaft Type	T
Overall Length	14.8 in	Shaft Diameter	1.125 in
Shaft Extension	2.75 in	Assembly/Box Mounting	F1/F2 Capable
Outline Drawing	B-SS620290	Connection Diagram	A-EE7300

This is an uncontrolled document once printed or downloaded and is subject to change without notice. Date Created: 06/29/2018



182T	14.80	5.50	4.50	/	2.25
184T	15.81	6.55	5.50	4.50	2.75
FRAME	C	B	2F	2F'	BS

		TOLERANCES UNLESS SPECIFIED		 REGAL-BELOIT CORPORATION		DRAWN HZJ 03-05-2010				
		DEC.	INCHES			CHK ZYH 03-05-2010				
		.X	±.1			APPD CL 03-05-2010				
		.XX	±.03			SCALE 1=2.5				
		.XXX	±.005	TITLE		OUTLINE				
		.XXXX	±.0005	MAT'L		182/184T FR TEFC-CAST IRON				
NO.	REVISION	BY & DATE	CHK	ANG	±1/2-	FINISH	PREV			
THIS DRAWING IN DESIGN AND DETAIL IS OUR PROPERTY AND MUST NOT BE USED EXCEPT IN CONNECTION WITH OUR WORK. ALL RIGHTS OF DESIGN AND INVENTION ARE RESERVED. THIS IS AN ELECTRONICALLY GENERATED DOCUMENT - DO NOT SCALE THIS PRINT				RFP		CAD FILE	SS620290	SIZE	DRAWING NO.	REV.
				DIST				B	SS620290	

**THREE PHASE - SINGLE VOLTAGE
MOTOR - CONDUIT BOX @ 'A'**

**TO REVERSE ROTATION:
INTERCHANGE ANY TWO
LINE LEAD CONNECTIONS.**

TERMINAL BLOCK WHEN SPECIFIED



VIEW OF TERMINAL END

**IF MOTOR HAS
6 LEADS**



A-9806 DECAL

**OPTIONAL CORD
CONNECTION**

- L1 _____ WHITE
- L2 _____ RED
- L3 _____ BLACK

DRAWING REVISION AB	REVISION BY JJB	DATE 06-27-2017
ECO ECO-0125361	APPROVED BY TB	DATE 06-27-2017
ECO DESCRIPTION UPDATED TO CURRENT STANDARDS		
<small>COPYRIGHT REGAL BELOIT AMERICA, INC. ALL RIGHTS RESERVED. PROPRIETARY AND CONFIDENTIAL INFORMATION - THIS DOCUMENT IS THE PROPERTY OF REGAL BELOIT AMERICA, INC. ("OWNER") AND CONTAINS OWNER'S PROPRIETARY INFORMATION. ANY PERSON, CORPORATION OR OTHER FIRM RECEIVING IT IS DEEMED, BY RECEIVING IT, TO AGREE THAT IT, AND/OR ANY PART OF IT, SHALL NOT BE DISCLOSED TO ANY PERSON, CORPORATION OR OTHER ENTITY, DUPLICATED, AND/OR USED, EXCEPT AS EXPRESSLY APPROVED IN WRITING IN ADVANCE BY OWNER. THIS DOCUMENT SHALL BE RETURNED TO OWNER UPON REQUEST. IT MAY BE SUBJECT TO CERTAIN RESTRICTIONS UNDER APPLICABLE EXPORT CONTROL LAWS AND REGULATIONS.</small>		



DRAWN BY DA
DATE 03-26-1993
APPROVED BY TB
DATE 03-26-1993
REFERENCE
THIRD ANGLE PROJECTION

Regal Beloit America, Inc.	
MATERIAL	PROCESS/FINISH
SIZE A	DRAWING NUMBER EE7300
SHEET 1 OF 1	

Data Sheet

Date: 6/19/2017

182TTC6005

Customer:



Submital

Attention:

FAREEDA DUDEKULA

Data @ 575 V

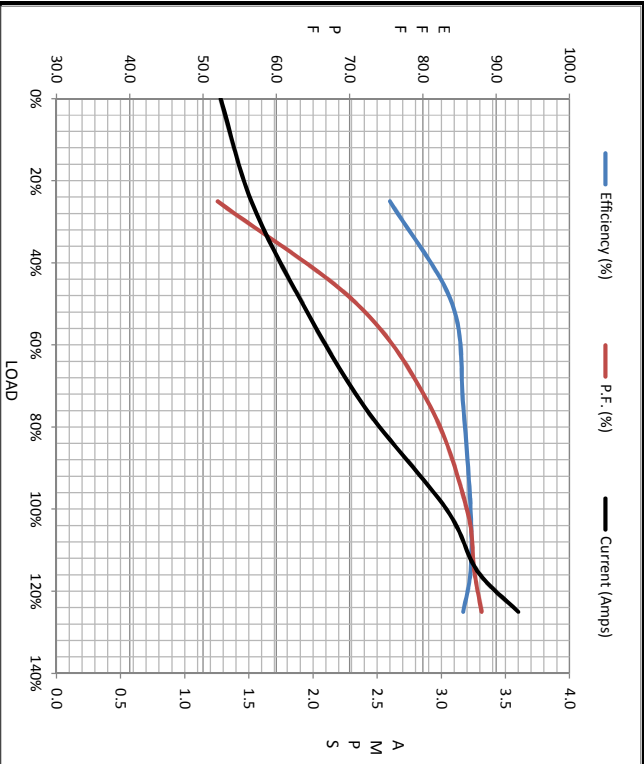
Load	Motor Load Data							
	0%	25%	50%	75%	100%	115%	125%	LR
Current (Amps)	1.28	1.52	1.92	2.40	3.0	3.3	3.6	20.0
Torque (ft-lb)	0.00	1.10	2.20	3.3	4.5	5.1	5.6	8.1
RPM	3600	3575	3555	3540	3532	3520	3505	0
Efficiency (%)		75.5	84.0	85.5	86.5	86.5	85.5	
P.F. (%)	9.0	52.0	71.0	81.0	86.0	87.0	88.0	49.0

Motor Speed Data

	LR	Pull-Up	BD	Rated	Idle
Speed (rpm)	0	1800	2850	3532	3600
Current (Amps)	20.0	17.6	14.0	3.0	1.28
Torque (ft-lb)	8.1	7.0	13.8	4.5	0.00

Information Block

HP	3.0			
Sync. RPM	3600			
Frame	182			
Enclosure	TFC			
Construction	TFC			
Voltage	575 V			
Frequency	60 HZ			
Design	B			
LR Code letter	L			
Service Factor	1.15			
Temp Rise @ FL	55 °C			
Duty	CONT			
Ambient	40 °C			
Elevation	1,000 feet			
Rotor/Shaft wk ^e	0.20 Lb-Fe			
Rel Wdg	CHT18220005 NONE			
Sound Pressure @ 1M	72 dBA			
VFD Rating	NONE			
Outline Dwg	B-SS620290			
Conn. Diag	A-EE7300			
Additional Specifications:				
EQUIV CKT (OHMS / PHASE)				
R1	R2	X1	X2	Xm
3.2520	2.2910	7.3910	3.3260	272.7140



Speed - Torque Curve

